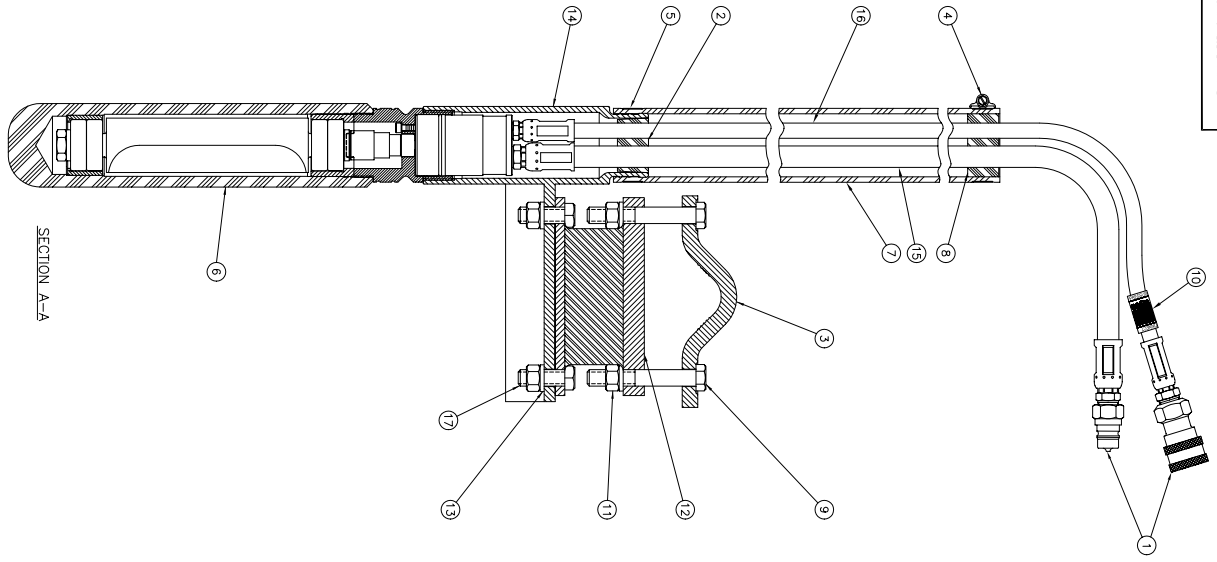


THIS DRAWING IS A REPRESENTATION TO ACHIEVE APPROXIMATE ACCURACY. THE USER SHALL BE RESPONSIBLE FOR VERIFYING THE DIMENSIONS OF THE PARTS TO BE MANUFACTURED. THE USER SHALL BE RESPONSIBLE FOR VERIFYING THE DIMENSIONS OF THE PARTS TO BE MANUFACTURED. THE USER SHALL BE RESPONSIBLE FOR VERIFYING THE DIMENSIONS OF THE PARTS TO BE MANUFACTURED.



SECTION A-A

1. FINISH TO BE AS SHOWN
2. FINISH TO BE AS SHOWN
1. REMOVE ALL BURRS AND BREAK SHARP EDGES. 0095/010
NOTES: UNLESS OTHERWISE SPECIFIED

ZONE	TYPE	DESCRIPTION	ECO	DATE	APPROVAL
04	A	1. QTY 1 WAS 2	W2719	4/29/08	
F5		2. 949134 WAS 949134			
F5	B	3. ITEM B WAS 439706 (SET SCREWS)			
F5	B	1. 660751 WAS 660751	W2724	8/16/08	
05		2. QTY 1 WAS 2			

ITEM	WYCO PART NO.	QTY	DESCRIPTION
1	419692	1	QUICK DISCONNECT
2	419684	1	PLUG, TAPERED: RUBBER: #10
3	419729	1	CASTING, CLAMP
4	259611	1	CLAMP, HOSE: #36
5	259601	1	CLAMP, CENTER PUNCH: 2-3/4", STEEL
6	949808	1	ASSY. HEAD: 2-1/4" SQ. STR: THD: #2500
7	219500	4 FT	HOSE, BULK: PROTECTIVE
8	419685	1	PLUG, STRAIGHT: NEOPRENE
9	439708	2	BOLT, HEX HEAD: 1/2-13 x 3-1/2", GR 5
10	660751	1	LABEL, HYDRAULIC: MODEL NUMBER/PRESSURE
11	439703	4	NUT, HEX: 1/2-13
12	419720	1	ISOLATOR, SINGLE: COMPACT VIB
13	439704	4	WASHER, LOCK: 1/2"
14	419963	1	ASSY. STR: COMP: MTG BRKT: 2.50 DIA CAST
15	213708	1	ASSY. HOSE: 3/8": 96"/8 FT LENGTH
16	212508	1	ASSY. HOSE: 1/4": 96"/8 FT LENGTH
17	439712	2	BOLT, HEX HEAD: 1/2-13 x 1-1/2", GR 8

WYCO
 DIVISION OF HYDRAULIC EQUIPMENT INC.
 1000 W. 10TH AVENUE, SUITE 100
 DENVER, CO 80202
 TEL: (303) 733-1000
 FAX: (303) 733-1001
 WWW.WYCO.COM

NAME: ASSY. HYD. STR. COMP.
 EASY-POUR
 SIZE: CODE TD. NO. PART NUMBER: 949134
 D: 59580
 SCALE: 1:2 | CURRENT REV.: B | SHEET: 1 OF 1

DESIGNED BY: C. NEUMANN 5/7/75
 CHECKED BY: R. ORDOZ 6/16/08
 ENGINEER: R. ORDOZ 6/16/08
 SUPERSEDES: 4/21/08
 THIS DRAWING IS THE PROPERTY OF WYCO. IT IS TO BE USED ONLY FOR THE PURPOSES SPECIFIED HEREON. IT IS NOT TO BE REPRODUCED OR TRANSMITTED IN ANY FORM OR BY ANY MEANS, ELECTRONIC OR MECHANICAL, INCLUDING PHOTOCOPYING, RECORDING, OR BY ANY INFORMATION STORAGE AND RETRIEVAL SYSTEM, WITHOUT THE WRITTEN PERMISSION OF WYCO.

PART NUMBER: 949134