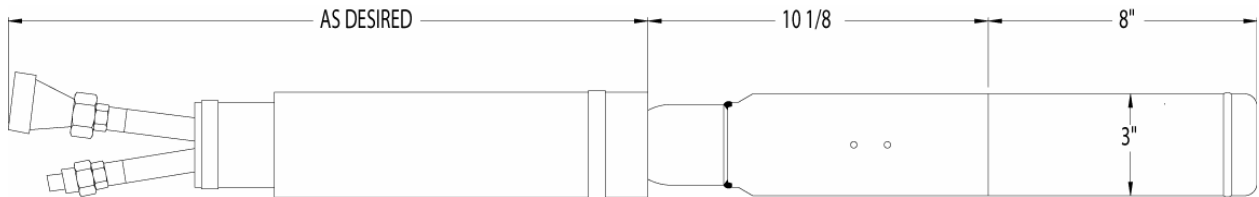


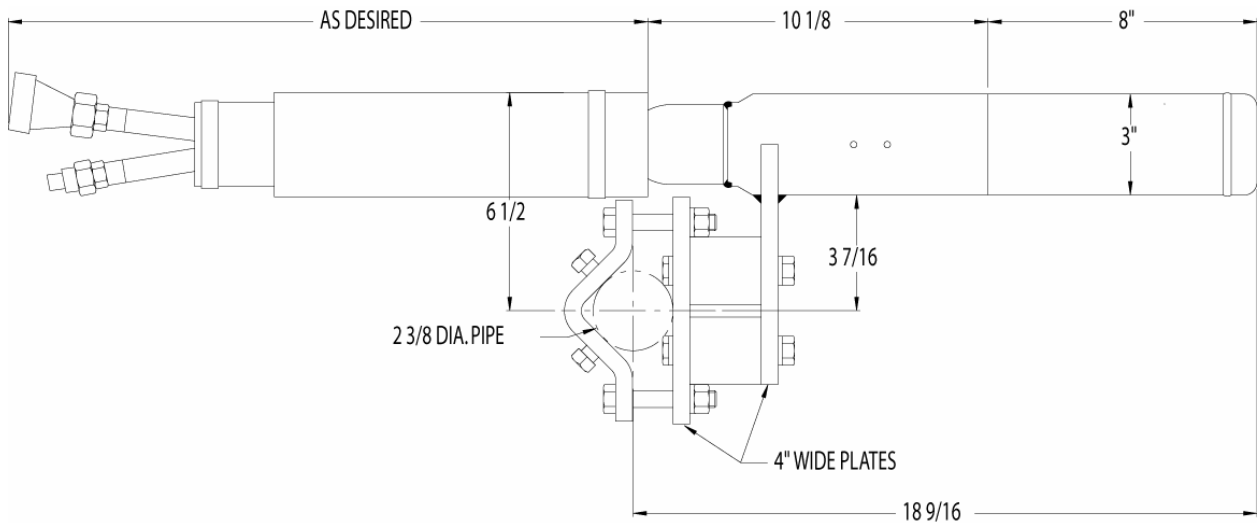
## HV-4H Series Specifications

HEAD DIAMETER -----	3" (76.20mm)
CENTRIFUGAL FORCE -----	3102lbs. (13798.38N)
AMPLITUDE -----	0.161" (4.08mm)
DIAMETER OF INFLUENCE @ 10,500VPM -----	34.00"-36.00" (863.6mm-914.4mm)
DIAMETER OF INFLUENCE @ 8,000VPM -----	26.50"-30.50" (673.1mm-774.7mm)
MAXIMUM FLOW -----	4GPM (15.14l/min)
NORMAL OPERATING PRESSURE -----	800-1300PSI (5.51-8.96MPa)
BACK PRESSURE MAXIMUM -----	150PSI (1.03MPa)
RATED FOR PRESSURE UP TO 2500PSI (17.24MPa)	

### MODEL HV-4H



### MODEL HV-4BH



*Specifications are nominal values and will vary depending on the size and range of aggregate, and the slump of the concrete. Specifications taken at 10,500VPM.*

277 North Main Street  
PO Box 367  
Mansfield, OH 44902

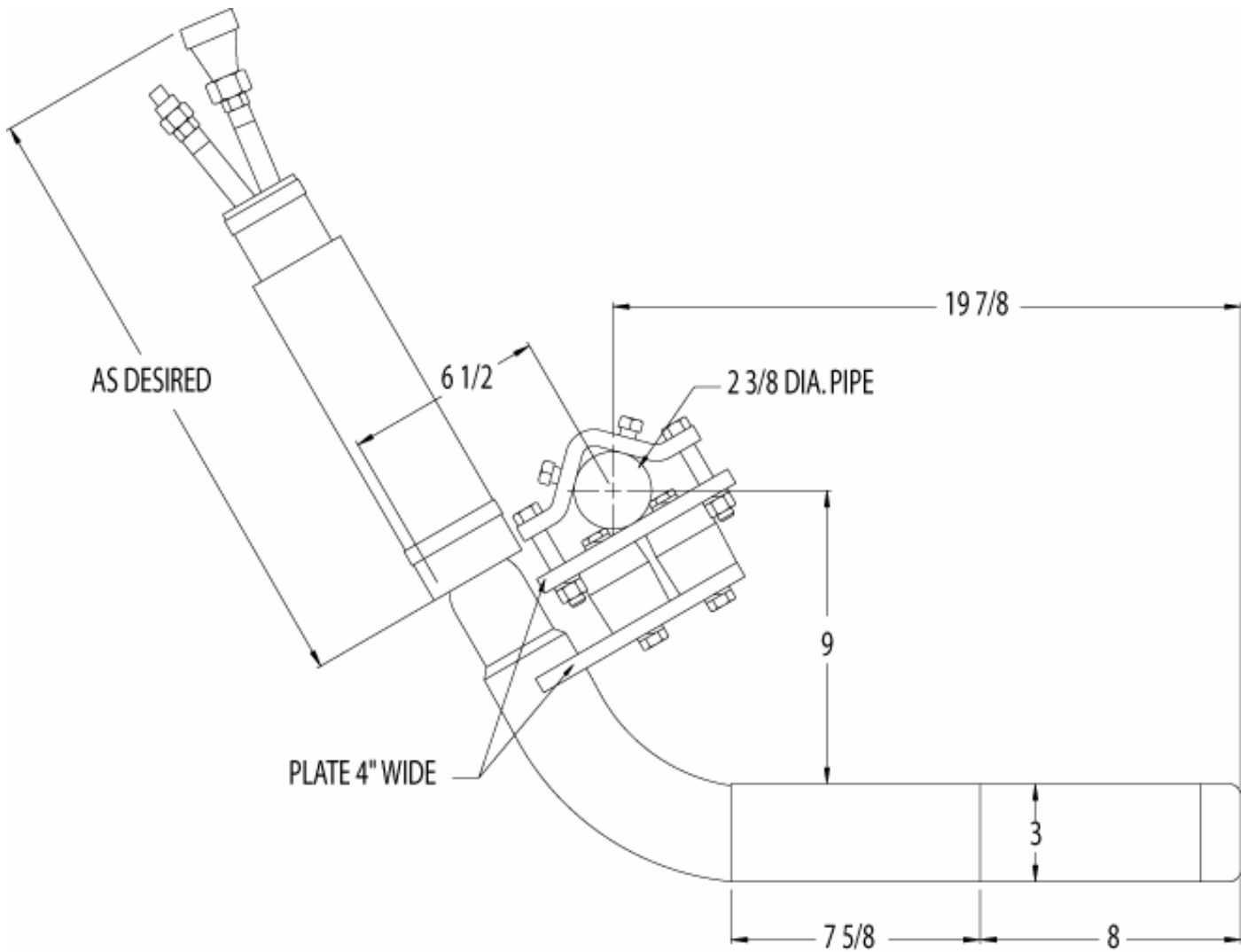
[www.minnich-mfg.com](http://www.minnich-mfg.com)  
e-mail: [sales@minnich-mfg.com](mailto:sales@minnich-mfg.com)

Phone: 419.524.1000  
Toll Free: 800.524.1033  
Fax: 419.524.4000

# **m** **minnich**

**CONCRETE VIBRATORS & DOWEL PIN DRILLS**

## MODEL HV-4PH



*Specifications are nominal values and will vary depending on the size and range of aggregate, and the slump of the concrete.  
Specifications taken at 10,500VPM.*

277 North Main Street  
PO Box 367  
Mansfield, OH 44902

[www.minnich-mfg.com](http://www.minnich-mfg.com)  
e-mail: [sales@minnich-mfg.com](mailto:sales@minnich-mfg.com)

Phone: 419.524.1000  
Toll Free: 800.524.1033  
Fax: 419.524.4000